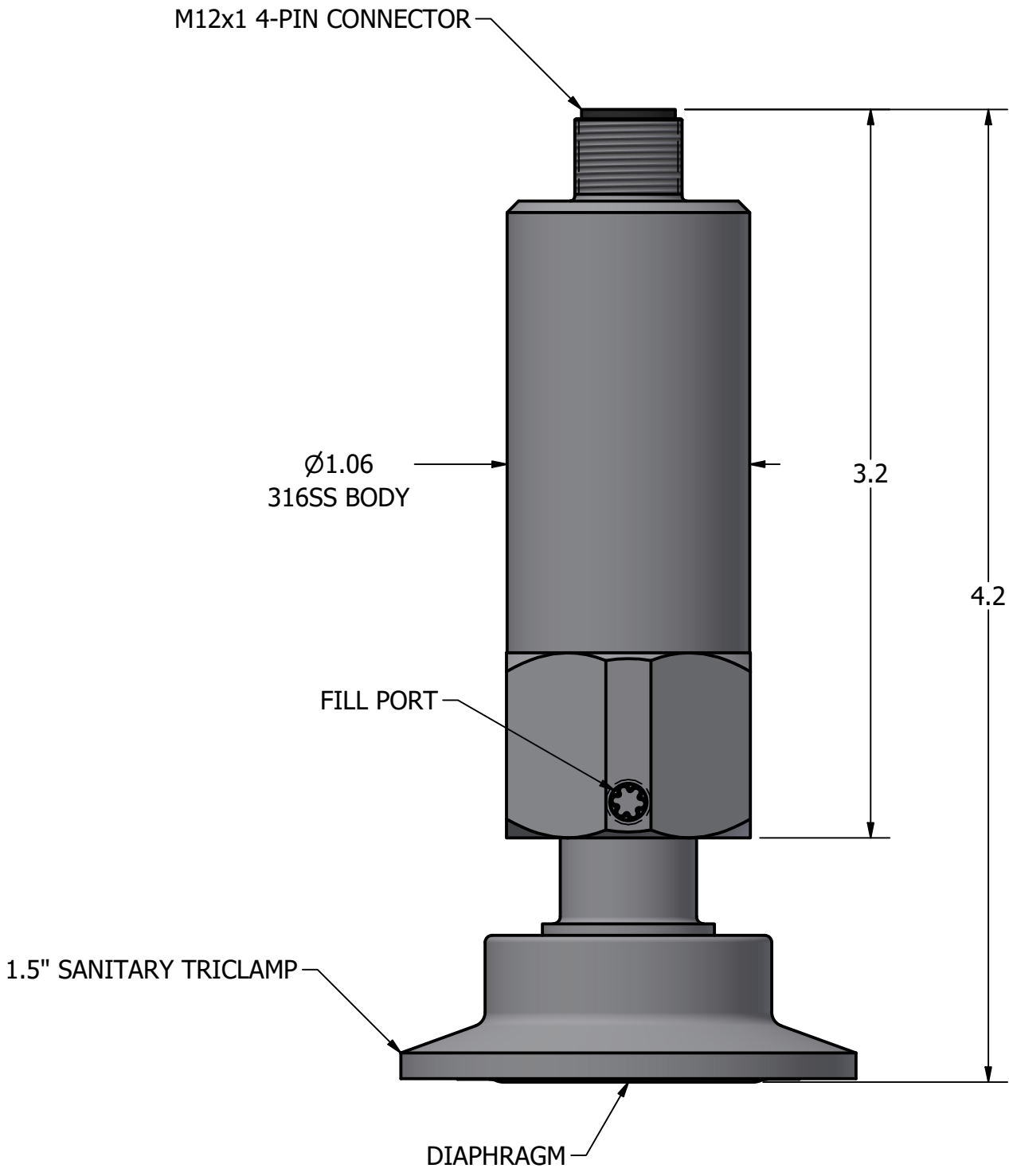
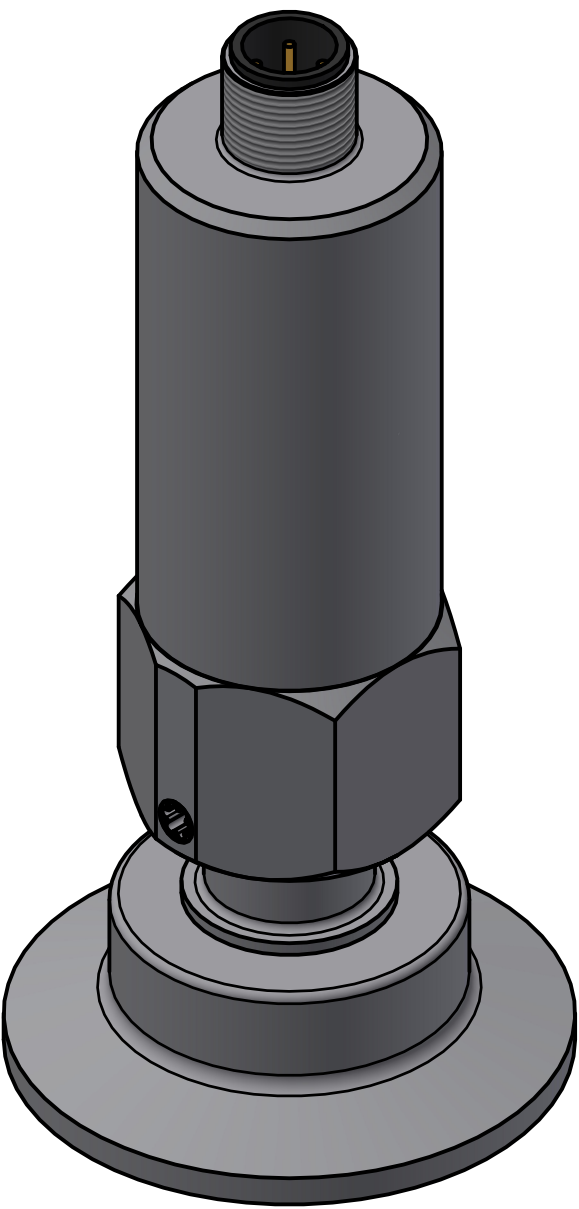


REVISION HISTORY			
REV	DESCRIPTION	DATE	APPROVED
A		9/20/2024	Mike Neill



PART NAME TSTA-ASSY-TRANSMITTER-DSTC-1.4IN-M00-MARKETING			
<small>UNLESS OTHERWISE SPECIFIED DIMENSIONS ARE IN INCHES TOLERANCES ARE:</small> DECIMALS ANGLES SURFACES .X ± .03 ±1° 63√ .XX ± .01 .XXX ± .005 FRACTIONS .XXXX ± .002 ±1/32 RADII = 1/32	Reotemp Instrument Corporation 10656 Roselle Street San Diego, CA 92121 USA Phone: (858) 784-0710 Fax: (858) 784-0720		DATE 9/16/2024
	REOTEMP		DRAWN BY phong
PART NO TSTA1...M00-TC15DWD		SIZE C	CAGE CODE 24793
DWG NO 40-000051		APPROVED Mike Neill	
FIRST USED ON		SCALE: NTS	FILE NAME:
SHEET 1 OF 1		REV A	